

Desire 1/3 of rudder area to be un-blanketed

Rudder blanketed by horizontal tail

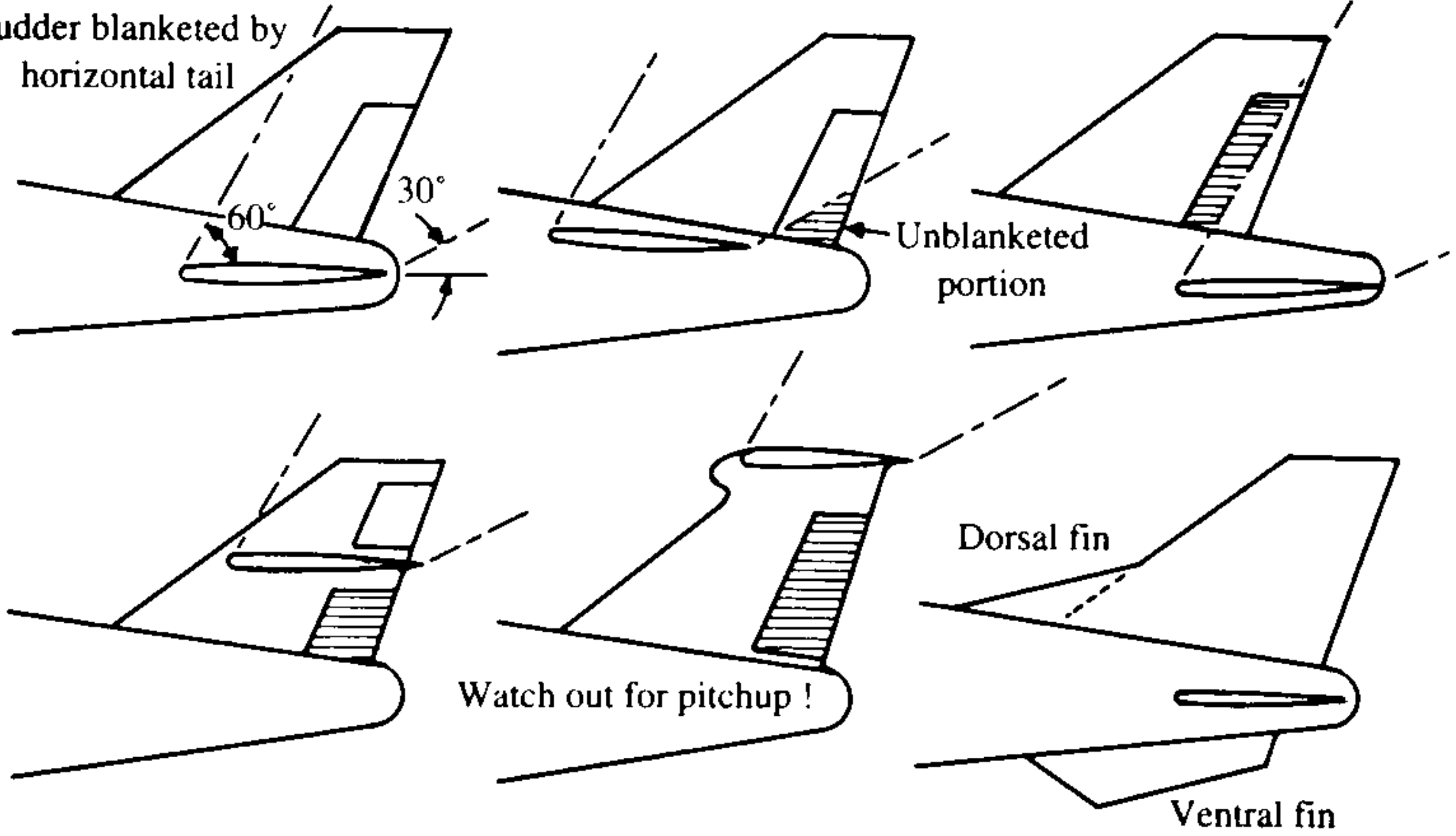


Fig. 4.36 Tail geometry for spin recovery.