

Forward



Free-swivel
negative rake

Steerable
positive rake

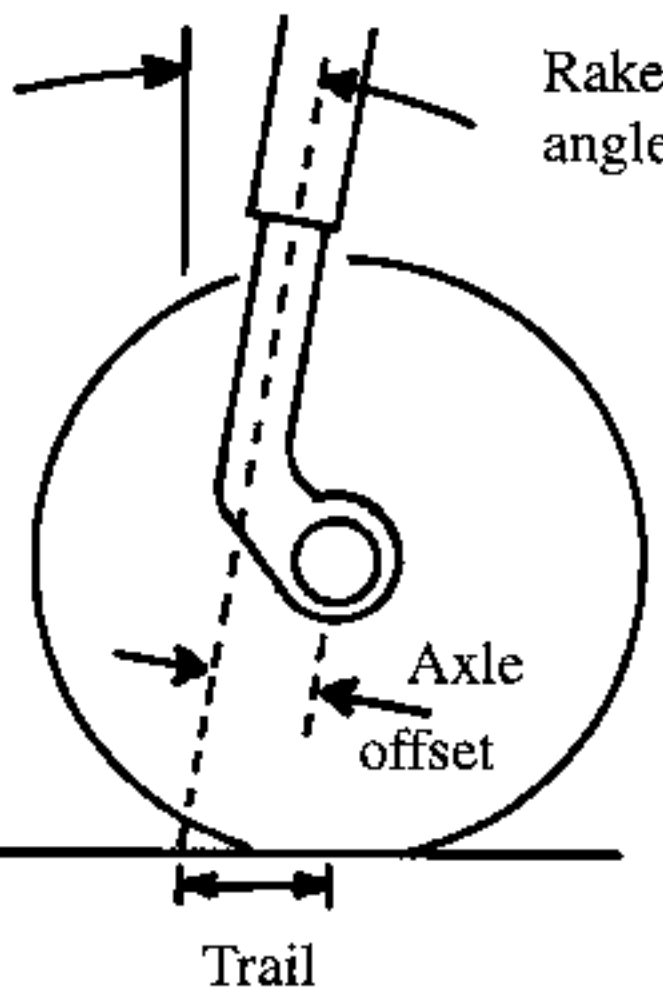
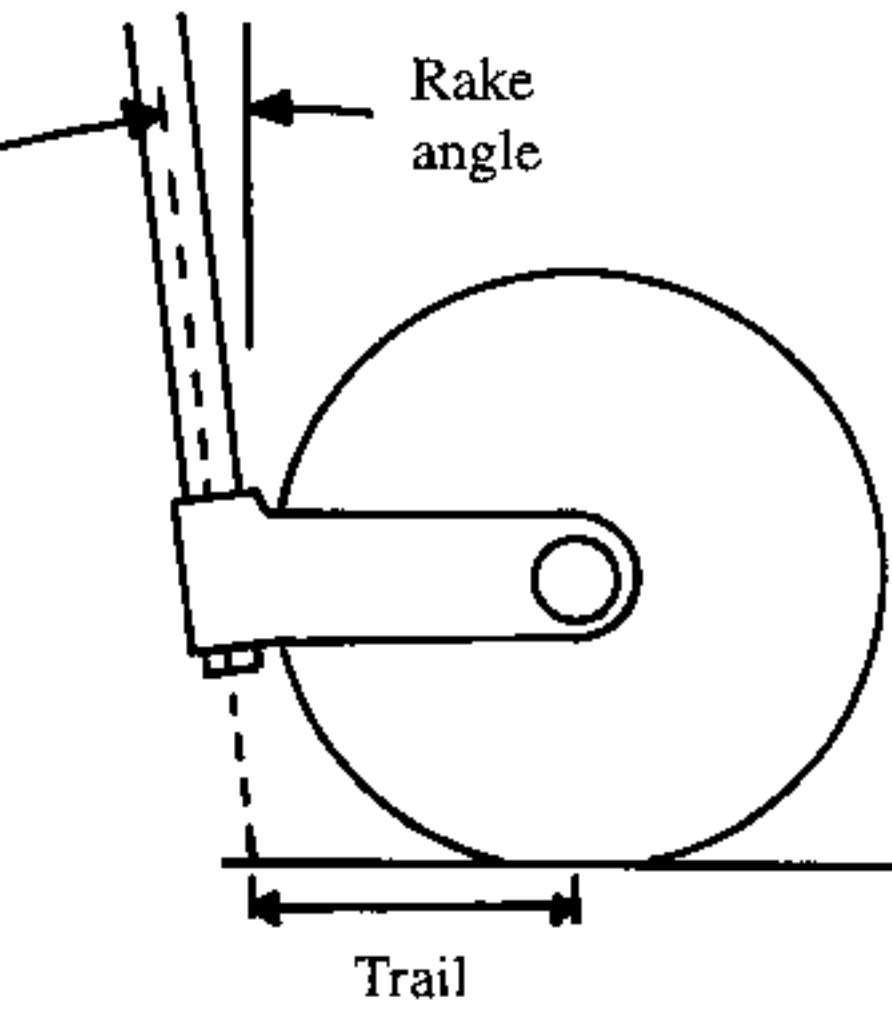


Fig. 11.12 Castoring wheel geometry.